

## DigiLevel Compact



081.202A / Rev 0107

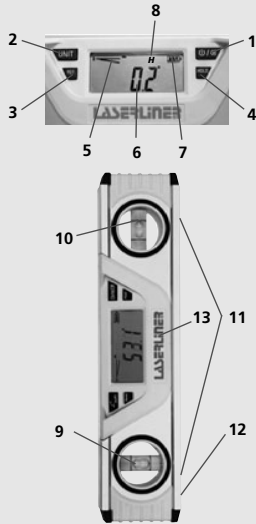
- ⓓ Bedienungsanleitung
- ⓖⓔ Operating instructions
- ⓃⓁ Gebruiksaanwijzing
- ⓓⓀ Betjeningsvejledning
- ⓕ Mode d'emploi
- ⓔ Instrucciones para su uso
- ⓔ Istruzioni per l'uso
- Ⓟ Instrukcja Obsługi
- ⓕⓘ Käyttöohje
- Ⓟ Instruções de uso
- Ⓢ Bruksanvisning
- Ⓝ Bruksanvisning
- ⓉⓇ Kullanma kılavuzu
- Ⓡⓤⓢ Инструкция по использованию

**LASERLINER**  
Innovation in Tools

## DigiLevel Compact

GB

Digital electronic spirit level with vertical and horizontal angle display. The slope can be indicated in degrees, IN/FT or percent on the display. An acoustic signal indicates the horizontal or vertical position. The slope memory enables angles to be projected elsewhere, powerful fixing magnets, as well as additional vertical and horizontal vial, illuminated display.



### LEGEND

- 1 ON / OFF switch  
Acoustic signal on/off
- 2 Unit of measurement selection  
(° degrees / % / IN/FT)
- 3 Angle reference value setting
- 4 Memory funktion (Hold)
- 5 Slope direction display
- 6 Slope angle display
- 7 Battery charge display
- 8 Memory funktion display (H)
- 9 Vertical vial
- 10 Horizontal vial
- 11 Magnets
- 12 Measuring surface  
Rear:
- 13 Battery compartment

### OPERATION

#### A) Inserting batteries:

- Open the battery compartment (13) on the rear of the DigiLevel and insert two new batteries (type AAA/LR03) in the manner indicated by the installation symbols. Ensure correct polarity. The symbol (7) indicates the level of battery charge.

#### B) Switching on and measuring:

- The DigiLevel can measure angles continuously to 360°.
- Switch the DigiLevel on using the on/off switch (1).
- The current operating temperature in °C is shown for a few seconds.
- The slope angle is shown in the display (6). If slopes are measured overhead, the direction of display adjusts automatically.
- The current slope direction is also shown by the symbol (5).

#### C) Selection of unit of measurement:

- Button 2 allows the desired unit of measurement to be selected (° degrees, %, IN/FT)

#### D) Changing the angle reference value:

- With button (3), it is possible to transfer angles elsewhere. To do so, set the device to the desired slope and press button (3). The

display will then change to "0.0", and the desired reference angle is now set. The slope can now be transferred to other objects.

**IMPORTANT:** When all the slopes have been transferred, make sure to deactivate the new angle reference value. To do this, switch off the device by pressing the on/off switch (1) for at least 3 secs. Only then will the value be reset itself to the measuring surface (12).

#### E) Acoustic signal:

- The acoustic signal can be switched on or off with button (1).
- When the angle of slope stands at 0°, 45°, 90°, this is indicated by an acoustic signal.

**NOTE:** When working with a changed angle reference value, the acoustic signal is activated on reaching the new reference value (0°, 45°, 90° display).

#### F) Spirit level function:

- The alignment to the measuring surface (12) is shown by the vertical and horizontal vials.
- Use the vials for optimum vertical and horizontal alignment, and the electronic slope angle display for any desired angle of slope.
- With the aid of the magnets (11), the DigiLevel can be affixed to any magnetic surface.

#### G) Memory functions (Hold):

- With the memory function (4), the current measurement result can be saved in the internal memory.
- Return to normal measuring mode by pressing the memory function (4).

#### H) Switching off:

- To switch off the DigiLevel, press the on/off switch (1) for at least 3 secs. When not in use, the DigiLevel switches off automatically.

#### Technical data:

Electronic measuring precision:	+/- 0,1° at 0° and 90°, +/- 0,2° at 2° - 89°
Vial accuracy:	+/- 0,5 mm
Working temperature:	0°C ... 40°C (32°F ... 104°F)
Storage temperature:	- 20°C ... 65° C
Power supply:	2 x 1.5V (type AAA/LR03)
Dimensions:	55 x 30 x 238 mm
Weight:	0.25 kg

Subject to technical change without notice 01/2007

#### Warranty:

The warranty is valid for 2 years from the date of purchase. The warranty does not cover damage caused by improper use or storage, normal wear and tear, or defects which only insignificantly impair the value of the product or its functioning. Any tampering by unauthorised persons will render this warranty void. In the event that you need to claim warranty, please take the complete device together with all information and the invoice to one of our dealers or send it in to UMAREX-Laserliner.

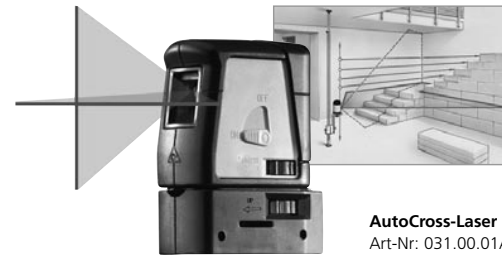
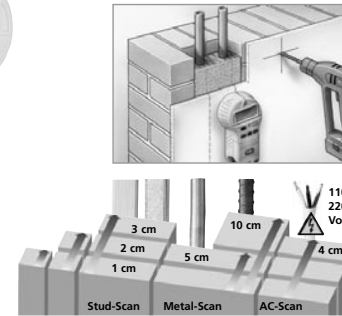
GB

## Laserliner – Innovation in Tools



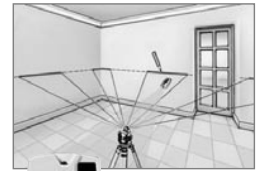
MeterMaster Pro Laser  
Art-Nr: 080.930A

Multifinder Pro  
Art-Nr: 080.960A



AutoCross-Laser 2  
Art-Nr: 031.00.01A

www.laserliner.com



BeamControl-Master  
Basic-Plus 120  
Art-Nr: 026.03.00A

- Ⓓ Service- und Versand-Anschrift:
- ⒼⒷ Service- and Shipping Address:
- ⒶⒺ Service- en verzendadres:
- ⒹⓀ Service- og Postadresse:
- Ⓕ Livraison et expédition:
- Ⓔ Dirección de servicio y de envío:
- Ⓘ Indirizzo di assistenza e di spedizione:
- ⒶⒻ Serwis i sprzedaż:
- ⒻⒶⒺ Service- og Postadresse:
- ⒶⒻ Endereço de serviço e envio:
- ⒶⒻ Service- och leveransadress:
- ⒶⒻ Service- og forsendelsesadresse:
- ⒶⒻ Servis ve gönderi adresi:
- ⒶⒻ Адрес службы сервиса и для отправки:



### Umarex GmbH & Co KG

– Laserliner –

Möhnestraße 149, 59755 Arnsberg, Germany  
Tel.: +49 2932 638-300, Fax: +49 2932 638-333  
laserliner@umarex.com

UMAREX GmbH & Co KG  
Donnerfeld 2  
59757 Arnsberg, Germany  
Tel.: +49 2932 638-300  
Fax: +49 2932 638-333  
www.laserliner.com

LASERLINER  
Innovation in Tools